

# FLEXSTORM Specification Drawing

## ASTM D8057 Standard Specification for Inlet Filters with a Rigid Frame

CORROSION RESISTANT RIGID STEEL FRAME

LIFTING HOLES  
(FOR USE WITH 62UMT MAINT. TOOL)

OPTIONAL: REAR CURB FLAP TO PROTECT CURB OPENING

CORROSION RESISTANT RIGID STEEL FRAME

LIFT HANDLES

REPLACEABLE WOVEN GEOTEXTILE FILTER BAG  
82% FILTRATION EFFICIENCY PER ASTM D7351

ULTIMATE BYPASS AREA  
(BENEATH FLANGES)

REPLACEABLE WOVEN GEOTEXTILE FILTER BAG  
82% FILTRATION EFFICIENCY PER ASTM D7351

FLEXSTORM CATCH-IT LITE  
(SHOWN WITH OPTIONAL CURB FLAP)

FLEXSTORM CATCH-IT SQUARE  
(TYPICAL SETUP)

FLEXSTORM CATCH-IT ROUND  
(TYPICAL SETUP)



### ASTM D8057 Requirements

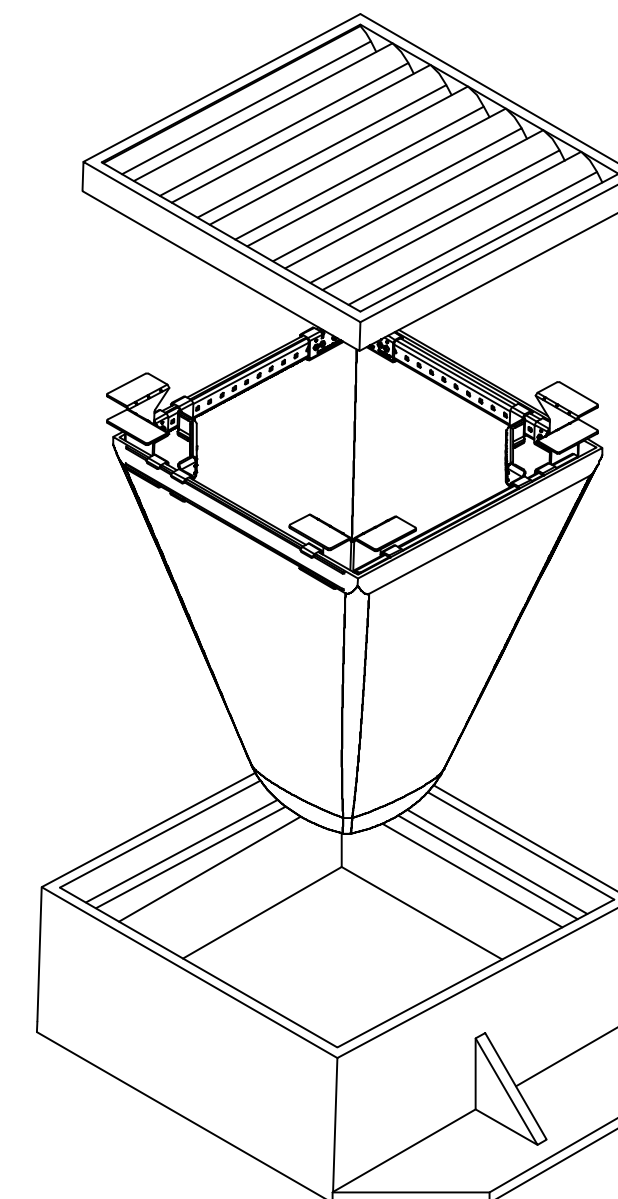
- > Filter system consists of rigid frame and removable geosynthetic bag
- > Filter bag sized to meet treatment flow rate of the drainage location
- > Bag maintains shape to be extracted when completely filled with sediment
- > Rigid frame capable of supporting full load of sediment with grate removed
- > Frame does not interfere or elevate grate by more than 1/8"
- > Bypass flow exceeds design flow of drainage location
- > Filter bag achieves >80% filtration efficiency per ASTM D7351

#### Installation Instructions:

1. Remove grate from the drainage structure
2. Clean stone and dirt from ledge (lip) of drainage structure
3. Drop the FLEXSTORM inlet filter through the clear opening such that the hangers rest firmly on the lip of the structure
4. Replace the grate and confirm it is not elevated more than 1/8"

#### Maintenance Guidelines:

1. Empty the sediment bag if more than half filled with sediment and debris
2. Remove the grate, engage the lifting points, and lift filter from the drainage structure
3. Dispose of sediment and debris as directed by the Engineer or Maintenance Contract
4. Alternatively, an industrial vacuum can be used to collect sediment from filter bag



For more information contact  
APM@inletfilters.com



**FLEXSTORM ASTM D8057 SPECIFICATION DRAWING**