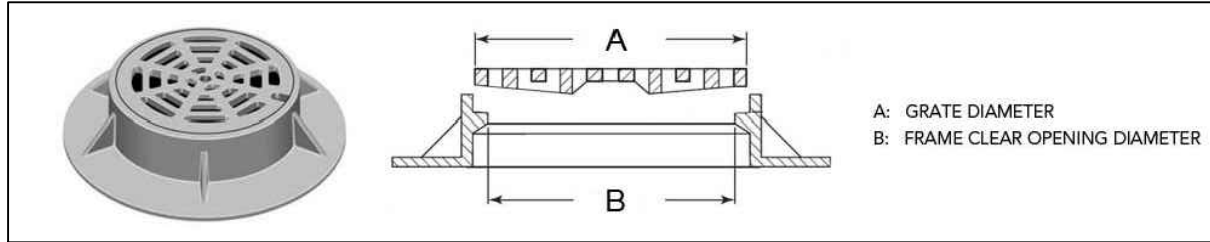
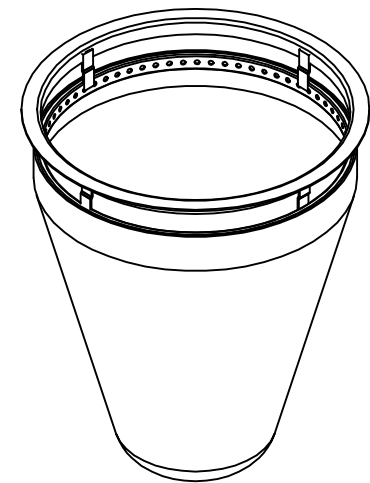
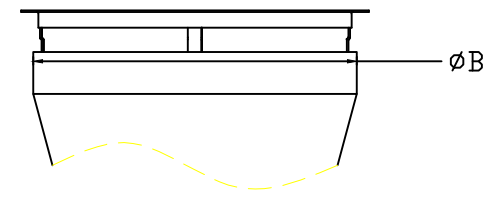
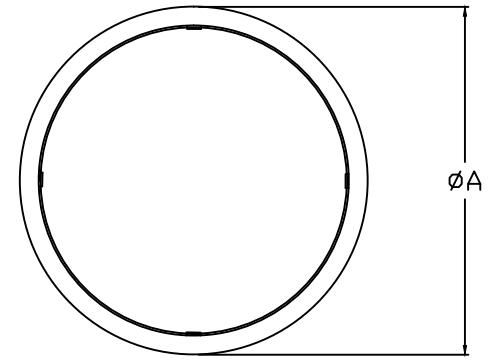


# FLEXSTORM P/Ns 62SHDRFX & 62SHDRFXP

RD INLET TYPE: RAISED CAST IRON FRAME AND ROUND GRATE



A: GRATE DIAMETER  
B: FRAME CLEAR OPENING DIAMETER



Pure Frame with FX Bag		Field Inlet Dimensions		Flexstorm Framing Dims		Flexstorm Ratings (Flow at 50% max)			Pure Frame with FX+ Bag	
ADS P/N	Flexstorm Item Code	A	B	B1	A1	Bag Capacity (ft <sup>3</sup> )	PC/PC+ Flow Rate (CFS)	Bypass (CFS)	ADS P/N	Flexstorm Item Code
62SHDRFX	P-RD-120-110-FX	12	11	9.5	11.5	0.3	0.6	2.2	62SHDRFXP	P-RD-120-110-FXP
62SHDRFX	P-RD-130-115-FX	13	11.5	10.5	12.5	0.4	0.7	2.4	62SHDRFXP	P-RD-130-115-FXP
62SHDRFX	P-RD-158-150-FX	15.75	15.0	13.5	15.5	0.6	0.9	3.1	62SHDRFXP	P-RD-158-150-FXP
62SHDRFX	P-RD-180-170-FX	18	17.0	15.3	17.3	0.8	1.0	3.5	62SHDRFXP	P-RD-180-170-FXP

**NOTES:**

1. RATINGS SHOWN ARE FOR STANDARD 22" BAG DEPTH; "SHORT" 12" DEPTH BAGS ARE AVAILABLE WITH -S SUFFIX; RATINGS REDUCED BY ~50%.

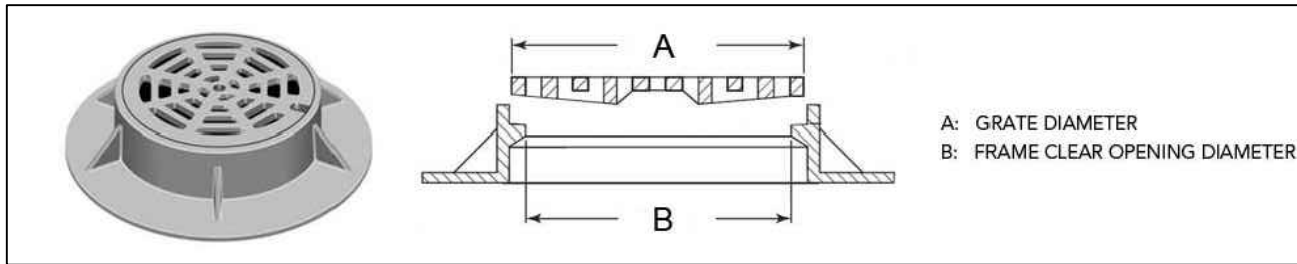
2. THE FOLLOWING REQUIRES ADDITIONAL REVIEW

- GRATES WITH EXTENDED BOTTOMS
- ANY OBSTRUCTED INLET OPENINGS

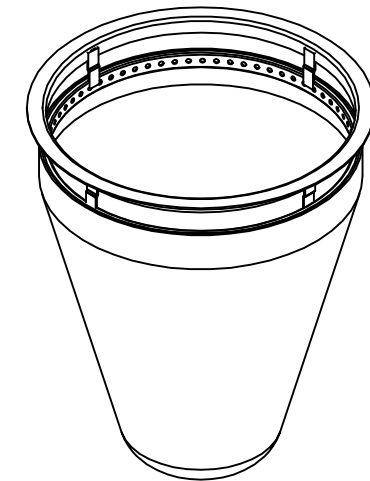
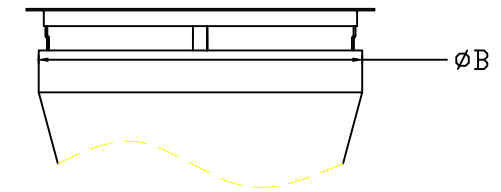
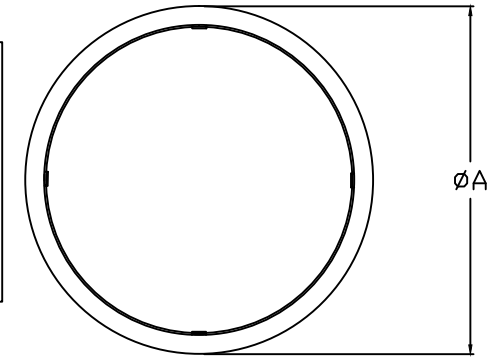
		ALL PRODUCTS MANUFACTURED BY INLET & PIPE PROTECTION, INC A DIVISION OF ADS, INC. WWW.INLETFILTERS.COM (866) 287-8655 PH (630) 355-3477 FX INFO@INLETFILTERS.COM	
		SIZE C	FRAME TYPE HDR
<small>THIS PRINT DISCLOSES SUBJECT MATTER IN WHICH FLEXSTORM HAS PROPRIETARY RIGHTS. THE RECEIPT OR POSSESSION OF THIS PRINT DOES NOT CONFER, TRANSFER, OR LICENSE THE USE OF THE DESIGN OR TECHNICAL INFORMATION SHOWN HEREIN. REPRODUCTION OF THIS PRINT OR ANY INFORMATION CONTAINED HEREIN, OR MANUFACTURE OF ANY ARTICLE HEREFROM, FOR THE DISCLOSURE TO OTHERS IS PROHIBITED, EXCEPT BY WRITTEN PERMISSION FROM FLEXSTORM. ©2013 ADS, INC.</small>		SCALE	SHEET 1 OF 1

# FLEXSTORM P/Ns 62SHDRPC & 62SHDRPCP

RD INLET TYPE: RAISED CAST IRON FRAME AND ROUND GRATE



A: GRATE DIAMETER  
B: FRAME CLEAR OPENING DIAMETER



Pure frame with PC Bag		Field Inlet Dimensions		Flexstorm Framing Dim's		Flexstorm Ratings (Flow at 50% max)			Pure Frame with PC+ Bag	
ADS P/N	Flexstorm Item Code	A	B	B1	A1	Bag Capacity (ft <sup>3</sup> )	PC/PC+ Flow Rate (CFS)	Bypass (CFS)	ADS P/N	Flexstorm Item Code
62SHDRPC	P-RD-120-110-PC	12	11	12.0	11.0	0.3	0.6	2.8	62SHDRPCP	P-RD-120-110-PCP
62SHDRPC	P-RD-130-115-PC	13	11.5	10.5	12.5	0.4	0.7	2.4	62SHDRPCP	P-RD-130-115-PCP
62SHDRPC	P-RD-158-150-PC	15.75	15.0	13.5	15.5	0.6	0.9	3.1	62SHDRPCP	P-RD-158-150-PCP
62SHDRPC	P-RD-180-170-PC	18	17.0	15.3	17.3	0.8	1.0	3.5	62SHDRPCP	P-RD-180-170-PCP

## NOTES:

1. RATINGS SHOWN ARE FOR STANDARD 22" BAG DEPTH; "SHORT" 12" DEPTH BAGS ARE AVAILABLE WITH -S SUFFIX; RATINGS REDUCED BY ~50%.

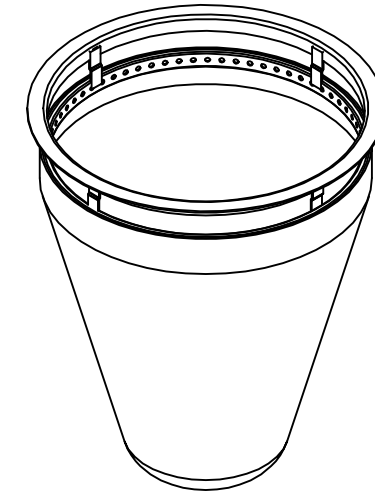
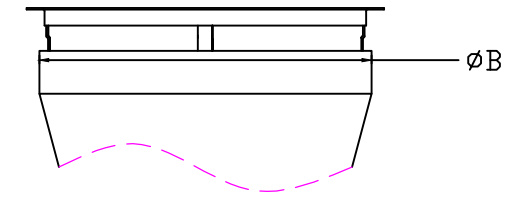
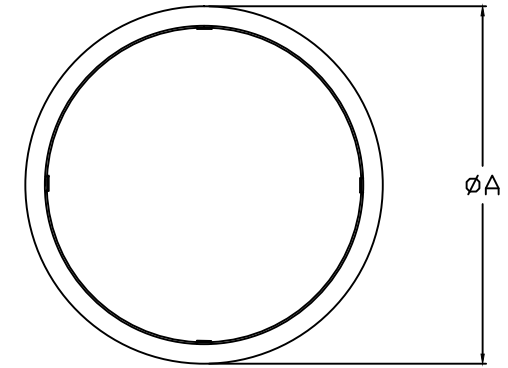
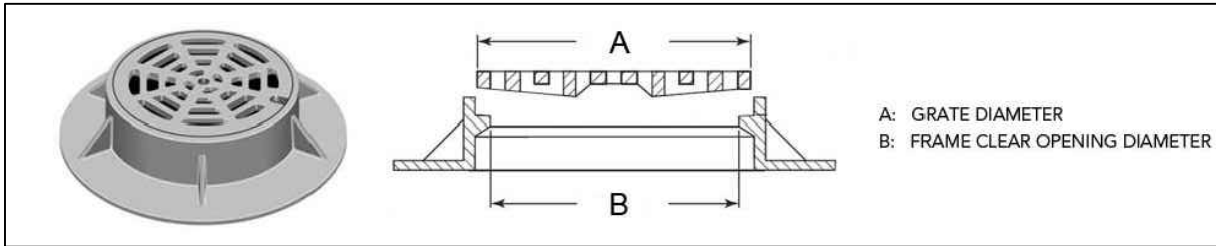
2. THE FOLLOWING REQUIRES ADDITIONAL REVIEW

- GRATES WITH EXTENDED BOTTOMS
- ANY OBSTRUCTED INLET OPENINGS

	ALL PRODUCTS MANUFACTURED BY INLET & PIPE PROTECTION, INC A DIVISION OF ADS, INC. WWW.INLETFILTERS.COM (866) 287-8655 PH (630) 355-3477 FX INFO@INLETFILTERS.COM		
	SIZE C	FRAME TYPE HDR	DWG NO RD-62SHDR-PC
THIS PRINT DISCLOSES SUBJECT MATTER IN WHICH FLEXSTORM HAS PROPRIETARY RIGHTS. THE RECEIPT OR POSSESSION OF THIS PRINT DOES NOT CONFER, TRANSFER, OR LICENSE THE USE OF THE DESIGN OR TECHNICAL INFORMATION SHOWN HEREIN. REPRODUCTION OF THIS PRINT OR ANY INFORMATION CONTAINED HEREIN, OR MANUFACTURE OF ANY ARTICLE HEREFROM, FOR THE DISCLOSURE TO OTHERS IS PROHIBITED, EXCEPT BY WRITTEN PERMISSION FROM FLEXSTORM. ©2013 ADS, INC.		SCALE	SHEET 1 OF 1

# FLEXSTORM P/Ns 62MHDRFX & 62MHDRFXP

RD INLET TYPE: RAISED CAST IRON FRAME AND ROUND GRATE



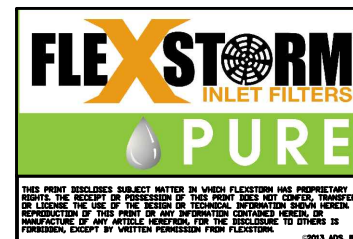
Pure Frame with FX Bag		Field Inlet Dimensions		Flexstorm Framing Dims		Flexstorm Ratings (Flow at 50% max)			Pure Frame with FX+ Bag	
ADS P/N	Flexstorm Item Code	A	B	B1	A1	Bag Capacity (ft <sup>2</sup> )	PC/PC+ Flow Rate (CFS)	Bypass (CFS)	ADS P/N	Flexstorm Item Code
62MHDRFX	P-RD-205-180-FX	20.5	18	17.5	19.5	1.1	1.1	4.1	62MHDRFXP	P-RD-205-180-FXP
62MHDRFX	P-RD-218-200-FX	21.75	20	19.5	21.5	1.3	1.2	4.5	62MHDRFXP	P-RD-218-200-FXP
62MHDRFX	P-RD-220-200-FX	22	20	19.5	21.5	1.3	1.3	4.5	62MHDRFXP	P-RD-220-200-FXP
62MHDRFX	P-RD-225-200-FX	22.5	20	19.5	21.5	1.3	1.3	4.5	62MHDRFXP	P-RD-225-200-FXP
62MHDRFX	P-RD-228-200-FX	22.75	20	19.5	21.5	1.3	1.3	4.5	62MHDRFXP	P-RD-228-200-FXP
62MHDRFX	P-RD-320-200-FX	32	20	19.5	21.5	1.3	1.3	4.5	62MHDRFXP	P-RD-320-200-FXP
62MHDRFX	P-RD-228-201-FX	22.75	20.0937	19.5	21.5	1.3	1.3	4.5	62MHDRFXP	P-RD-228-201-FXP
62MHDRFX	P-RD-229-201-FX	22.87	20.125	19.5	21.5	1.3	1.3	4.5	62MHDRFXP	P-RD-229-201-FXP
62MHDRFX	P-RD-225-203-FX	22.5	20.25	19.5	21.5	1.4	1.3	4.5	62MHDRFXP	P-RD-225-203-FXP
62MHDRFX	P-RD-228-203-FX	22.75	20.25	19.5	21.5	1.4	1.3	4.5	62MHDRFXP	P-RD-228-203-FXP
62MHDRFX	P-RD-223-204-FX	22.25	20.375	19.5	21.5	1.4	1.3	4.5	62MHDRFXP	P-RD-223-204-FXP
62MHDRFX	P-RD-220-205-FX	22	20.468	19.5	21.5	1.3	1.3	4.5	62MHDRFXP	P-RD-220-205-FXP
62MHDRFX	P-RD-223-205-FX	22.25	20.5	19.5	21.5	1.4	1.3	4.5	62MHDRFXP	P-RD-223-205-FXP
62MHDRFX	P-RD-225-205-FX	22.5	20.5	20.0	22.0	1.4	1.3	4.6	62MHDRFXP	P-RD-225-205-FXP
62MHDRFX	P-RD-228-205-FX	22.75	20.5	20.0	22.0	1.4	1.3	4.6	62MHDRFXP	P-RD-228-205-FXP
62MHDRFX	P-RD-230-205-FX	23	20.5	20.0	22.0	1.4	1.3	4.6	62MHDRFXP	P-RD-230-205-FXP
62MHDRFX	P-RD-228-206-FX	22.75	20.62	20.5	22.5	1.4	1.3	4.7	62MHDRFXP	P-RD-228-206-FXP
62MHDRFX	P-RD-228-208-FX	22.75	20.75	20.5	22.5	1.4	1.3	4.7	62MHDRFXP	P-RD-228-208-FXP
62MHDRFX	P-RD-230-209-FX	23	20.87	20.5	22.5	1.4	1.3	4.7	62MHDRFXP	P-RD-230-209-FXP
62MHDRFX	P-RD-223-210-FX	22.25	21	19.5	21.5	1.4	1.3	4.5	62MHDRFXP	P-RD-223-210-FXP
62MHDRFX	P-RD-228-210-FX	22.75	21	20.5	22.5	1.4	1.3	4.7	62MHDRFXP	P-RD-228-210-FXP
62MHDRFX	P-RD-230-210-FX	23	21	20.5	22.5	1.5	1.3	4.7	62MHDRFXP	P-RD-230-210-FXP
62MHDRFX	P-RD-238-210-FX	23.75	21	20.5	22.5	1.5	1.3	4.7	62MHDRFXP	P-RD-238-210-FXP
62MHDRFX	P-RD-238-211-FX	23.75	21.056	20.5	22.5	1.5	1.3	4.7	62MHDRFXP	P-RD-238-211-FXP
62MHDRFX	P-RD-230-211-FX	23	21.06	20.5	22.5	1.5	1.3	4.7	62MHDRFXP	P-RD-230-211-FXP
62MHDRFX	P-RD-228-211-FX	22.75	21.125	20.5	22.5	1.4	1.3	4.7	62MHDRFXP	P-RD-228-211-FXP
62MHDRFX	P-RD-234-211-FX	23.375	21.125	20.5	22.5	1.5	1.3	4.7	62MHDRFXP	P-RD-234-211-FXP
62MHDRFX	P-RD-228-213-FX	22.75	21.25	20.5	22.5	1.4	1.3	4.7	62MHDRFXP	P-RD-228-213-FXP
62MHDRFX	P-RD-238-215-FX	23.75	21.468	21.3	23.3	1.5	1.4	4.9	62MHDRFXP	P-RD-238-215-FXP
62MHDRFX	P-RD-225-215-FX	22.5	21.5	20.0	22.0	1.4	1.3	4.6	62MHDRFXP	P-RD-225-215-FXP
62MHDRFX	P-RD-235-215-FX	23.5	21.5	21.3	23.3	1.5	1.4	4.9	62MHDRFXP	P-RD-235-215-FXP
62MHDRFX	P-RD-238-217-FX	23.75	21.656	21.3	23.3	1.6	1.4	4.9	62MHDRFXP	P-RD-238-217-FXP
62MHDRFX	P-RD-238-218-FX	23.75	21.75	21.3	23.3	1.6	1.4	4.9	62MHDRFXP	P-RD-238-218-FXP

**NOTES:**

1. RATINGS SHOWN ARE FOR STANDARD 22" BAG DEPTH; "SHORT" 12" DEPTH BAGS ARE AVAILABLE WITH -S SUFFIX; RATINGS REDUCED BY ~50%.

2. THE FOLLOWING REQUIRES ADDITIONAL REVIEW

- GRATES WITH EXTENDED BOTTOMS
- ANY OBSTRUCTED INLET OPENINGS

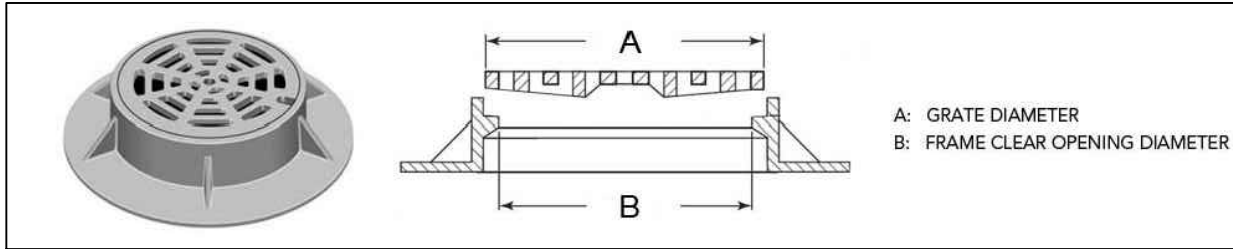


ALL PRODUCTS MANUFACTURED BY INLET & PIPE PROTECTION, INC A DIVISION OF ADS, INC.  
WWW.INLETFILTERS.COM  
(866) 287-8655 PH  
(630) 355-3477 FX  
INFO@INLETFILTERS.COM

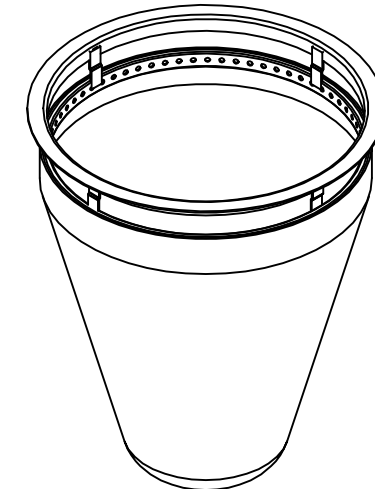
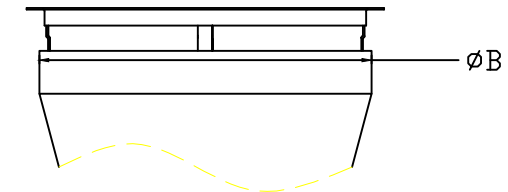
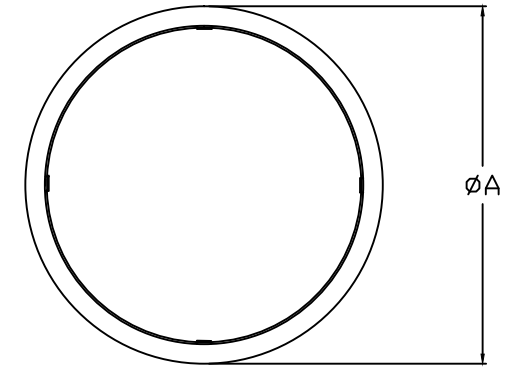
THIS PRINT RELEASED SUBJECT MATTER IN WHICH FLEXSTORM HAS PROPRIETARY RIGHTS. THE RECEIPT OR POSSESSION OF THIS PRINT DOES NOT CONFER, TRANSFER, OR LICENSE THE USE OF THE DESIGN OR TECHNICAL INFORMATION SHOWN HEREIN. REPRODUCTION OF THIS PRINT OR ANY INFORMATION CONTAINED HEREIN, OR THE MANUFACTURE OF ANY ARTICLES HEREFROM, FOR THE DISSEMINATION TO OTHERS IS PROHIBITED, EXCEPT BY WRITTEN PERMISSION FROM FLEXSTORM. ©2013 ADS, INC.	SIZE C	FRAME TYPE HDR	DWG NO RD-62MHDR-FX	REV A
SCALE			SHEET 1 OF 2	

# FLEXSTORM P/Ns 62MHDRFX & 62MHDRFXP

RD INLET TYPE: RAISED CAST IRON FRAME AND ROUND GRATE



A: GRATE DIAMETER  
B: FRAME CLEAR OPENING DIAMETER



Pure Frame with FX Bag		Field Inlet Dimensions		Flexstorm Framing Dims		Flexstorm Ratings (50%)			Pure Frame with FX+ Bag	
ADS P/N	Flexstorm Item Code	A	B	B1	A1	Bag Capacity (ft <sup>2</sup> )	PC/PC+ Flow Rate (CFS)	Bypass (CFS)	ADS P/N	Flexstorm Item Code
62MHDRFX	P-RD-240-218-FX	24	21.75	21.3	23.3	0.8	1.4	2.5	62MHDRFXP	P-RD-240-218-FXP
62MHDRFX	P-RD-233-220-FX	23.25	22	21.3	23.3	0.7	1.3	2.5	62MHDRFXP	P-RD-233-220-FXP
62MHDRFX	P-RD-238-220-FX	23.75	22	21.3	23.3	0.8	1.4	2.5	62MHDRFXP	P-RD-238-220-FXP
62MHDRFX	P-RD-239-220-FX	23.87	22	21.3	23.3	0.8	1.4	2.5	62MHDRFXP	P-RD-239-220-FXP
62MHDRFX	P-RD-260-220-FX	26	22	21.3	23.3	0.8	1.4	2.5	62MHDRFXP	P-RD-260-220-FXP
62MHDRFX	P-RD-238-221-FX	23.75	22.125	21.3	23.3	0.8	1.4	2.5	62MHDRFXP	P-RD-238-221-FXP
62MHDRFX	P-RD-228-223-FX	22.75	22.25	20.5	22.5	0.7	1.3	2.4	62MHDRFXP	P-RD-228-223-FXP
62MHDRFX	P-RD-238-223-FX	23.75	22.25	21.3	23.3	0.8	1.4	2.5	62MHDRFXP	P-RD-238-223-FXP
62MHDRFX	P-RD-240-223-FX	24	22.25	21.3	23.3	0.8	1.4	2.5	62MHDRFXP	P-RD-240-223-FXP
62MHDRFX	P-RD-238-224-FX	23.75	22.375	21.3	23.3	0.8	1.4	2.5	62MHDRFXP	P-RD-238-224-FXP
62MHDRFX	P-RD-239-224-FX	23.87	22.375	21.3	23.3	0.8	1.4	2.5	62MHDRFXP	P-RD-239-224-FXP
62MHDRFX	P-RD-238-225-FX	23.75	22.5	21.3	23.3	0.8	1.4	2.5	62MHDRFXP	P-RD-238-225-FXP
62MHDRFX	P-RD-240-225-FX	24	22.5	21.3	23.3	0.8	1.4	2.5	62MHDRFXP	P-RD-240-225-FXP
62MHDRFX	P-RD-248-226-FX	24.75	22.62	22.5	24.5	0.9	1.4	2.6	62MHDRFXP	P-RD-248-226-FXP
62MHDRFX	P-RD-239-228-FX	23.87	22.75	21.3	23.3	0.8	1.4	2.5	62MHDRFXP	P-RD-239-228-FXP
62MHDRFX	P-RD-238-230-FX	23.75	23	21.3	23.3	0.8	1.4	2.5	62MHDRFXP	P-RD-238-230-FXP
62MHDRFX	P-RD-240-230-FX	24	23	21.3	23.3	0.8	1.4	2.5	62MHDRFXP	P-RD-240-230-FXP
62MHDRFX	P-RD-250-230-FX	25	23	22.5	24.5	0.9	1.4	2.6	62MHDRFXP	P-RD-250-230-FXP
62MHDRFX	P-RD-254-230-FX	25.375	23	22.5	24.5	0.9	1.4	2.6	62MHDRFXP	P-RD-254-230-FXP
62MHDRFX	P-RD-256-230-FX	25.62	23	22.5	24.5	0.9	1.4	2.6	62MHDRFXP	P-RD-256-230-FXP
62MHDRFX	P-RD-258-230-FX	25.75	23	22.5	24.5	0.9	1.4	2.6	62MHDRFXP	P-RD-258-230-FXP
62MHDRFX	P-RD-248-234-FX	24.75	23.375	22.5	24.5	0.9	1.4	2.6	62MHDRFXP	P-RD-248-234-FXP
62MHDRFX	P-RD-260-235-FX	26	23.5	23.5	25.5	0.9	1.5	2.7	62MHDRFXP	P-RD-260-235-FXP
62MHDRFX	P-RD-258-236-FX	25.75	23.62	23.5	25.5	0.9	1.5	2.7	62MHDRFXP	P-RD-258-236-FXP
62MHDRFX	P-RD-258-238-FX	25.75	23.812	23.5	25.5	0.9	1.5	2.7	62MHDRFXP	P-RD-258-238-FXP
62MHDRFX	P-RD-253-240-FX	25.25	24	22.5	24.5	0.9	1.5	2.6	62MHDRFXP	P-RD-253-240-FXP
62MHDRFX	P-RD-258-240-FX	25.75	24	23.5	25.5	0.9	1.5	2.7	62MHDRFXP	P-RD-258-240-FXP
62MHDRFX	P-RD-260-240-FX	26	24	23.5	25.5	1.0	1.5	2.7	62MHDRFXP	P-RD-260-240-FXP
62MHDRFX	P-RD-268-240-FX	26.75	24	23.5	25.5	1.0	1.5	2.7	62MHDRFXP	P-RD-268-240-FXP
62MHDRFX	P-RD-260-241-FX	26	24.1	23.5	25.5	1.0	1.5	2.7	62MHDRFXP	P-RD-260-241-FXP
62MHDRFX	P-RD-263-241-FX	26.25	24.1	23.5	25.5	1.0	1.5	2.7	62MHDRFXP	P-RD-263-241-FXP
62MHDRFX	P-RD-258-241-FX	25.75	24.125	23.5	25.5	0.9	1.5	2.7	62MHDRFXP	P-RD-258-241-FXP
62MHDRFX	P-RD-258-243-FX	25.75	24.25	23.5	25.5	0.9	1.5	2.7	62MHDRFXP	P-RD-258-243-FXP

**NOTES:**

1. RATINGS SHOWN ARE FOR STANDARD 22" BAG DEPTH; "SHORT" 12" DEPTH BAGS ARE AVAILABLE WITH -S SUFFIX; RATINGS REDUCED BY ~50%.

2. THE FOLLOWING REQUIRES ADDITIONAL REVIEW

-GRATES WITH EXTENDED BOTTOMS

-ANY OBSTRUCTED INLET OPENINGS

**FLEXSTORM**  
INLET FILTERS  
**PURE**

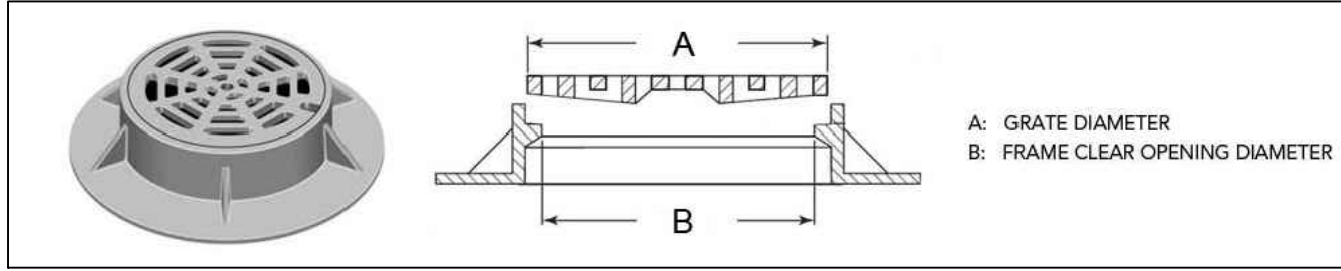
ALL PRODUCTS MANUFACTURED BY INLET & PIPE PROTECTION, INC A DIVISION OF ADS, INC.  
WWW.INLETFILTERS.COM  
(866) 287-8655 PH  
(630) 355-3477 FX  
INFO@INLETFILTERS.COM

SIZE	FRAME TYPE	DWG NO	REV
C	HDR	RD-62MHDR-FX	A
SCALE		SHEET 2 OF 2	

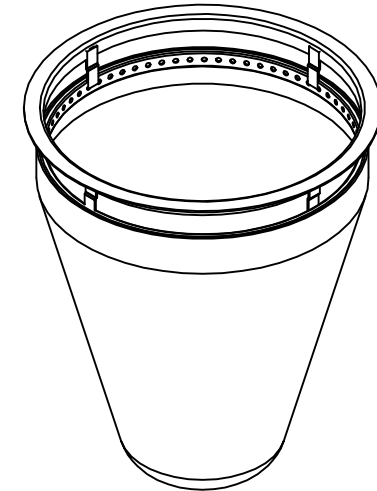
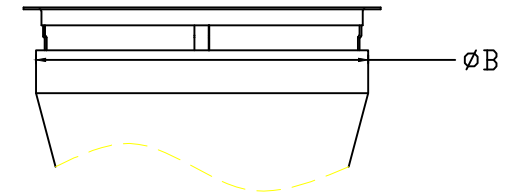
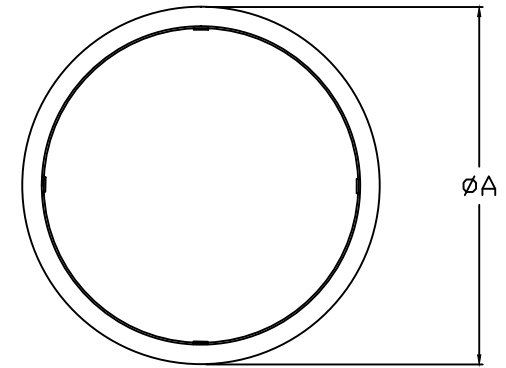
THIS PRINT DISCLOSES SUBJECT MATTER IN WHICH FLEXSTORM HAS PROPRIETARY RIGHTS. THE RECEIPT OR POSSESSION OF THIS PRINT DOES NOT CONFER, TRANSFER, OR LICENSE THE USE OF THE DESIGN OR TECHNICAL INFORMATION SHOWN HEREIN. REPRODUCTION OF THIS PRINT OR ANY INFORMATION CONTAINED HEREIN, OR MANUFACTURE OF ANY ARTICLE HEREFROM, FOR THE DISCLOSURE TO OTHERS IS PROHIBITED, EXCEPT BY WRITTEN PERMISSION FROM FLEXSTORM. ©2013 ADS, INC.

# FLEXSTORM P/Ns 62MHDRPC & 62MHDRPCP

RD INLET TYPE: RAISED CAST IRON FRAME AND ROUND GRATE



A: GRATE DIAMETER  
B: FRAME CLEAR OPENING DIAMETER



Pure frame with PC Bag		Field Inlet Dimensions		Flexstorm Framing Dims		Flexstorm Ratings (Flow at 50% max)			Pure Frame with PC+ Bag	
ADS P/N	Flexstorm Item Code	A	B	B1	A1	Bag Capacity (ft <sup>3</sup> )	PC/PC+ Flow Rate (CFS)	Bypass (CFS)	ADS P/N	Flexstorm Item Code
62MHDRPC	P-RD-205-180-PC	20.5	18	17.5	19.5	1.1	1.1	4.1	62MHDRPCP	P-RD-205-180-PCP
62MHDRPC	P-RD-218-200-PC	21.75	20	19.5	21.5	1.3	1.2	4.5	62MHDRPCP	P-RD-218-200-PCP
62MHDRPC	P-RD-220-200-PC	22	20	19.5	21.5	1.3	1.3	4.5	62MHDRPCP	P-RD-220-200-PCP
62MHDRPC	P-RD-225-200-PC	22.5	20	19.5	21.5	1.3	1.3	4.5	62MHDRPCP	P-RD-225-200-PCP
62MHDRPC	P-RD-228-200-PC	22.75	20	19.5	21.5	1.3	1.3	4.5	62MHDRPCP	P-RD-228-200-PCP
62MHDRPC	P-RD-320-200-PC	32	20	19.5	21.5	1.3	1.3	4.5	62MHDRPCP	P-RD-320-200-PCP
62MHDRPC	P-RD-228-201-PC	22.75	20.0937	19.5	21.5	1.3	1.3	4.5	62MHDRPCP	P-RD-228-201-PCP
62MHDRPC	P-RD-229-201-PC	22.87	20.125	19.5	21.5	1.3	1.3	4.5	62MHDRPCP	P-RD-229-201-PCP
62MHDRPC	P-RD-225-203-PC	22.5	20.25	19.5	21.5	1.4	1.3	4.5	62MHDRPCP	P-RD-225-203-PCP
62MHDRPC	P-RD-228-203-PC	22.75	20.25	19.5	21.5	1.4	1.3	4.5	62MHDRPCP	P-RD-228-203-PCP
62MHDRPC	P-RD-223-204-PC	22.25	20.375	19.5	21.5	1.4	1.3	4.5	62MHDRPCP	P-RD-223-204-PCP
62MHDRPC	P-RD-220-205-PC	22	20.468	19.5	21.5	1.3	1.3	4.5	62MHDRPCP	P-RD-220-205-PCP
62MHDRPC	P-RD-223-205-PC	22.25	20.5	19.5	21.5	1.4	1.3	4.5	62MHDRPCP	P-RD-223-205-PCP
62MHDRPC	P-RD-225-205-PC	22.5	20.5	20.0	22.0	1.4	1.3	4.6	62MHDRPCP	P-RD-225-205-PCP
62MHDRPC	P-RD-228-205-PC	22.75	20.5	20.0	22.0	1.4	1.3	4.6	62MHDRPCP	P-RD-228-205-PCP
62MHDRPC	P-RD-230-205-PC	23	20.5	20.0	22.0	1.4	1.3	4.6	62MHDRPCP	P-RD-230-205-PCP
62MHDRPC	P-RD-228-206-PC	22.75	20.62	20.5	22.5	1.4	1.3	4.7	62MHDRPCP	P-RD-228-206-PCP
62MHDRPC	P-RD-228-208-PC	22.75	20.75	20.5	22.5	1.4	1.3	4.7	62MHDRPCP	P-RD-228-208-PCP
62MHDRPC	P-RD-230-209-PC	23	20.87	20.5	22.5	1.4	1.3	4.7	62MHDRPCP	P-RD-230-209-PCP
62MHDRPC	P-RD-223-210-PC	22.25	21	19.5	21.5	1.4	1.3	4.5	62MHDRPCP	P-RD-223-210-PCP
62MHDRPC	P-RD-228-210-PC	22.75	21	20.5	22.5	1.4	1.3	4.7	62MHDRPCP	P-RD-228-210-PCP
62MHDRPC	P-RD-230-210-PC	23	21	20.5	22.5	1.5	1.3	4.7	62MHDRPCP	P-RD-230-210-PCP
62MHDRPC	P-RD-238-210-PC	23.75	21	20.5	22.5	1.5	1.3	4.7	62MHDRPCP	P-RD-238-210-PCP
62MHDRPC	P-RD-238-211-PC	23.75	21.056	20.5	22.5	1.5	1.3	4.7	62MHDRPCP	P-RD-238-211-PCP
62MHDRPC	P-RD-230-211-PC	23	21.06	20.5	22.5	1.5	1.3	4.7	62MHDRPCP	P-RD-230-211-PCP
62MHDRPC	P-RD-228-211-PC	22.75	21.125	20.5	22.5	1.4	1.3	4.7	62MHDRPCP	P-RD-228-211-PCP
62MHDRPC	P-RD-234-211-PC	23.375	21.125	20.5	22.5	1.5	1.3	4.7	62MHDRPCP	P-RD-234-211-PCP
62MHDRPC	P-RD-228-213-PC	22.75	21.25	20.5	22.5	1.4	1.3	4.7	62MHDRPCP	P-RD-228-213-PCP
62MHDRPC	P-RD-238-215-PC	23.75	21.468	21.3	23.3	1.5	1.4	4.9	62MHDRPCP	P-RD-238-215-PCP
62MHDRPC	P-RD-225-215-PC	22.5	21.5	20.0	22.0	1.4	1.3	4.6	62MHDRPCP	P-RD-225-215-PCP
62MHDRPC	P-RD-235-215-PC	23.5	21.5	21.3	23.3	1.5	1.4	4.9	62MHDRPCP	P-RD-235-215-PCP
62MHDRPC	P-RD-238-217-PC	23.75	21.656	20.3	22.3	1.6	1.4	4.7	62MHDRPCP	P-RD-238-217-PCP
62MHDRPC	P-RD-238-218-PC	23.75	21.75	21.3	23.3	1.6	1.4	4.9	62MHDRPCP	P-RD-238-218-PCP

**NOTES:**

1. RATINGS SHOWN ARE FOR STANDARD 22" BAG DEPTH; "SHORT" 12" DEPTH BAGS ARE AVAILABLE WITH -S SUFFIX; RATINGS REDUCED BY ~50%.

2. THE FOLLOWING REQUIRES ADDITIONAL REVIEW

- GRATES WITH EXTENDED BOTTOMS
- ANY OBSTRUCTED INLET OPENINGS

ALL PRODUCTS MANUFACTURED BY INLET & PIPE PROTECTION, INC A DIVISION OF ADS, INC. WWW.INLETFILTERS.COM (866) 287-8655 PH (630) 355-3477 FX INFO@INLETFILTERS.COM

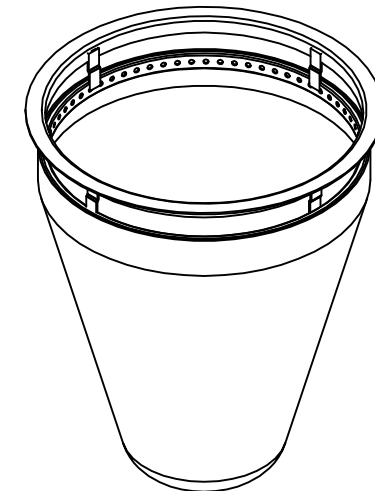
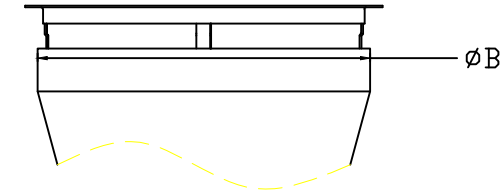
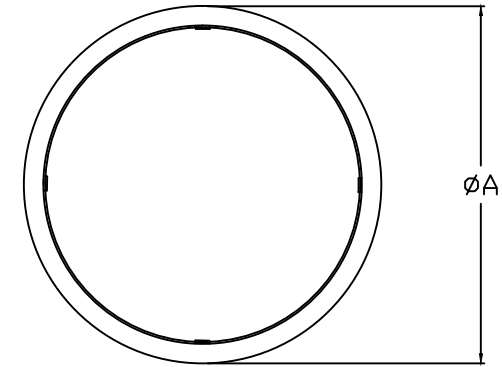
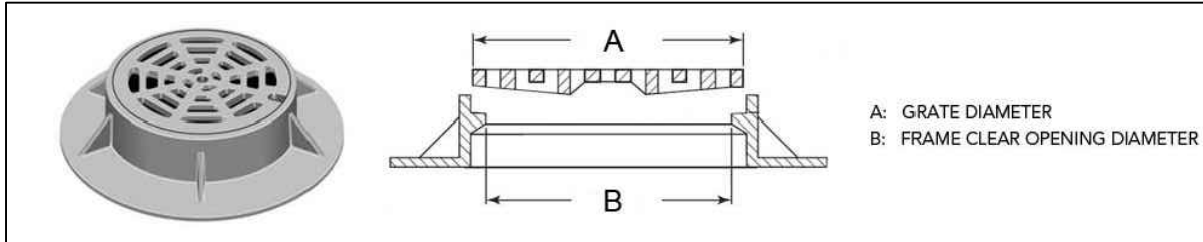
THIS PRINT RELEASED SUBJECT MATTER IN WHICH FLEXSTORM HAS PROPRIETARY RIGHTS. THE RECEIPT OR POSSESSION OF THIS PRINT DOES NOT CONFER, TRANSFER, OR LICENSE THE USE OF THE DESIGN OR TECHNICAL INFORMATION SHOWN HEREIN. REPRODUCTION OF THIS PRINT OR ANY INFORMATION CONTAINED HEREIN, OR MANUFACTURE OF ANY ARTICLE HEREFROM, FOR THE DISCLOSURE TO OTHERS IS PROHIBITED, EXCEPT BY WRITTEN PERMISSION FROM FLEXSTORM.	SCALE	FRAME TYPE HDR	DWG NO RD-62MHDR-PC	REV A
---	-------	-------------------	------------------------	----------

©2015 ADS, INC. SHEET 1 OF 2



# FLEXSTORM P/Ns 62MHDRPC & 62MHDRPCP

RD INLET TYPE: RAISED CAST IRON FRAME AND ROUND GRATE



Pure frame with PC Bag		Field Inlet Dimensions		Flexstorm Framing Dims		Flexstorm Ratings (Flow at 50% max)			Pure Frame with PC+ Bag	
ADS P/N	Flexstorm Item Code	A	B	B1	A1	Bag Capacity (ft³)	PC/PC+ Flow Rate (CFS)	Bypass (CFS)	ADS P/N	Flexstorm Item Code
62MHDRFC	P-RD-240-218-FC	24	21.75	21.3	23.3	1.6	1.4	4.9	62MHDRFCP	P-RD-240-218-FCP
62MHDRFC	P-RD-233-220-FC	23.25	22	21.3	23.3	1.5	1.3	4.9	62MHDRFCP	P-RD-233-220-FCP
62MHDRFC	P-RD-238-220-FC	23.75	22	21.3	23.3	1.6	1.4	4.9	62MHDRFCP	P-RD-238-220-FCP
62MHDRFC	P-RD-239-220-FC	23.87	22	21.3	23.3	1.6	1.4	4.9	62MHDRFCP	P-RD-239-220-FCP
62MHDRFC	P-RD-260-220-FC	26	22	21.3	23.3	1.6	1.4	4.9	62MHDRFCP	P-RD-260-220-FCP
62MHDRFC	P-RD-238-221-FC	23.75	22.125	21.3	23.3	1.6	1.4	4.9	62MHDRFCP	P-RD-238-221-FCP
62MHDRFC	P-RD-228-223-FC	22.75	22.25	20.5	22.5	1.4	1.3	4.7	62MHDRFCP	P-RD-228-223-FCP
62MHDRFC	P-RD-238-223-FC	23.75	22.25	21.3	23.3	1.6	1.4	4.9	62MHDRFCP	P-RD-238-223-FCP
62MHDRFC	P-RD-240-223-FC	24	22.25	21.3	23.3	1.6	1.4	4.9	62MHDRFCP	P-RD-240-223-FCP
62MHDRFC	P-RD-238-224-FC	23.75	22.375	21.3	23.3	1.6	1.4	4.9	62MHDRFCP	P-RD-238-224-FCP
62MHDRFC	P-RD-239-224-FC	23.87	22.375	21.3	23.3	1.6	1.4	4.9	62MHDRFCP	P-RD-239-224-FCP
62MHDRFC	P-RD-238-225-FC	23.75	22.5	21.3	23.3	1.6	1.4	4.9	62MHDRFCP	P-RD-238-225-FCP
62MHDRFC	P-RD-240-225-FC	24	22.5	21.3	23.3	1.6	1.4	4.9	62MHDRFCP	P-RD-240-225-FCP
62MHDRFC	P-RD-248-226-FC	24.75	22.62	22.5	24.5	1.7	1.4	5.2	62MHDRFCP	P-RD-248-226-FCP
62MHDRFC	P-RD-239-228-FC	23.87	22.75	21.3	23.3	1.6	1.4	4.9	62MHDRFCP	P-RD-239-228-FCP
62MHDRFC	P-RD-238-230-FC	23.75	23	21.3	23.3	1.6	1.4	4.9	62MHDRFCP	P-RD-238-230-FCP
62MHDRFC	P-RD-240-230-FC	24	23	21.3	23.3	1.6	1.4	4.9	62MHDRFCP	P-RD-240-230-FCP
62MHDRFC	P-RD-250-230-FC	25	23	22.5	24.5	1.8	1.4	5.2	62MHDRFCP	P-RD-250-230-FCP
62MHDRFC	P-RD-254-230-FC	25.375	23	22.5	24.5	1.8	1.4	5.2	62MHDRFCP	P-RD-254-230-FCP
62MHDRFC	P-RD-256-230-FC	25.62	23	22.5	24.5	1.8	1.4	5.2	62MHDRFCP	P-RD-256-230-FCP
62MHDRFC	P-RD-258-230-FC	25.75	23	22.5	24.5	1.8	1.4	5.2	62MHDRFCP	P-RD-258-230-FCP
62MHDRFC	P-RD-248-234-FC	24.75	23.375	22.5	24.5	1.7	1.4	5.2	62MHDRFCP	P-RD-248-234-FCP
62MHDRFC	P-RD-260-235-FC	26	23.5	23.5	25.5	1.8	1.5	5.4	62MHDRFCP	P-RD-260-235-FCP
62MHDRFC	P-RD-258-236-FC	25.75	23.62	23.5	25.5	1.9	1.5	5.4	62MHDRFCP	P-RD-258-236-FCP
62MHDRFC	P-RD-258-238-FC	25.75	23.812	23.5	25.5	1.9	1.5	5.4	62MHDRFCP	P-RD-258-238-FCP
62MHDRFC	P-RD-253-240-FC	25.25	24	22.5	24.5	1.8	1.5	5.2	62MHDRFCP	P-RD-253-240-FCP
62MHDRFC	P-RD-258-240-FC	25.75	24	23.5	25.5	1.9	1.5	5.4	62MHDRFCP	P-RD-258-240-FCP
62MHDRFC	P-RD-260-240-FC	26	24	23.5	25.5	1.9	1.5	5.4	62MHDRFCP	P-RD-260-240-FCP
62MHDRFC	P-RD-268-240-FC	26.75	24	23.5	25.5	1.9	1.5	5.4	62MHDRFCP	P-RD-268-240-FCP
62MHDRFC	P-RD-260-241-FC	26	24.1	23.5	25.5	1.9	1.5	5.4	62MHDRFCP	P-RD-260-241-FCP
62MHDRFC	P-RD-263-241-FC	26.25	24.1	23.5	25.5	1.9	1.5	5.4	62MHDRFCP	P-RD-263-241-FCP
62MHDRFC	P-RD-258-241-FC	25.75	24.125	23.5	25.5	1.9	1.5	5.4	62MHDRFCP	P-RD-258-241-FCP
62MHDRFC	P-RD-258-243-FC	25.75	24.25	23.5	25.5	1.9	1.5	5.4	62MHDRFCP	P-RD-258-243-FCP

**NOTES:**

- RATINGS SHOWN ARE FOR STANDARD 22" BAG DEPTH; "SHORT" 12" DEPTH BAGS ARE AVAILABLE WITH -S SUFFIX; RATINGS REDUCED BY ~50%.
- THE FOLLOWING REQUIRES ADDITIONAL REVIEW
  - GRATES WITH EXTENDED BOTTOMS
  - ANY OBSTRUCTED INLET OPENINGS

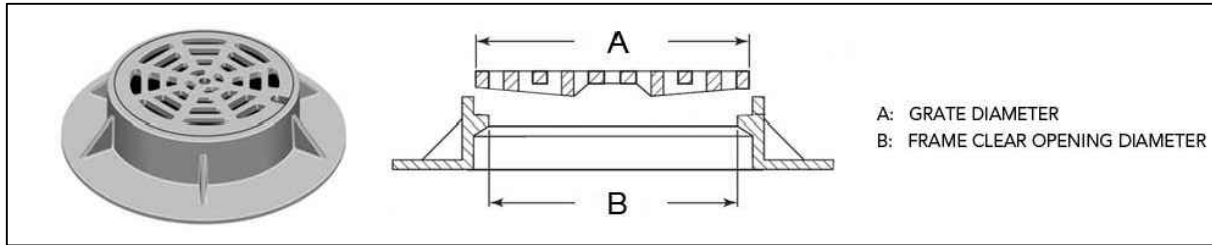
**FLEXSTORM**  
INLET FILTERS  
**PURE**

ALL PRODUCTS MANUFACTURED BY INLET & PIPE PROTECTION, INC A DIVISION OF ADS, INC.  
WWW.INLETFILTERS.COM  
(866) 287-8655 PH  
(630) 355-3477 FX  
INFO@INLETFILTERS.COM

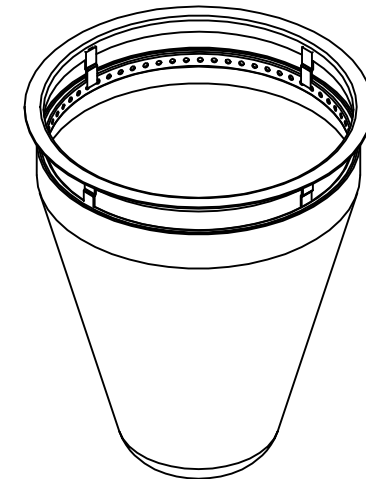
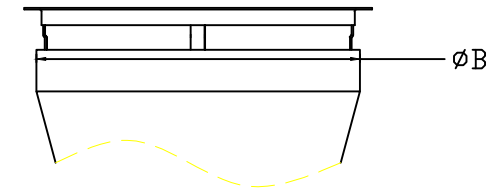
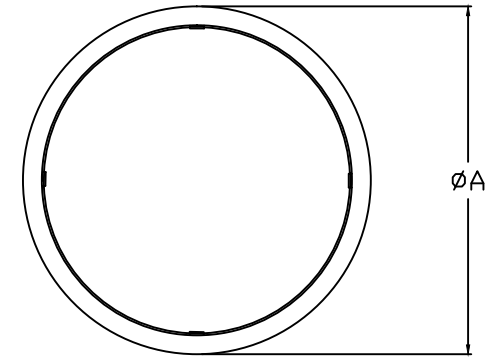
THIS PRINT DISCLOSES SUBJECT MATTER IN WHICH FLEXSTORM HAS PROPRIETARY RIGHTS. THE RECEIPT OR POSSESSION OF THIS PRINT DOES NOT CONFER, TRANSFER, OR LICENSE THE USE OF THE DESIGN OR TECHNICAL INFORMATION SHOWN HEREIN. REPRODUCTION OF THIS PRINT OR ANY INFORMATION CONTAINED HEREIN, OR MANUFACTURE OF ANY ARTICLE HEREFROM, FOR THE DISCLOSURE TO OTHERS IS PROHIBITED, EXCEPT BY WRITTEN PERMISSION FROM FLEXSTORM. ©2013 ADS, INC.	SIZE C	FRAME TYPE HDR	DWG NO RD-62MHDR-PC	REV A
SCALE			SHEET 2 OF 2	

# FLEXSTORM P/Ns 62LHDRFX & 62LHDRFXP

RD INLET TYPE: RAISED CAST IRON FRAME AND ROUND GRATE



A: GRATE DIAMETER  
B: FRAME CLEAR OPENING DIAMETER



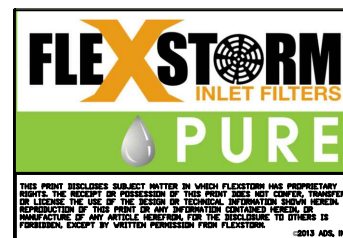
Pure Frame with FX Bag		Field Inlet Dimensions		Flexstorm Framing Dims		Flexstorm Ratings (Flow at 50% max)			Pure Frame with FX+ Bag	
ADS P/N	Flexstorm Item Code	A	B	B1	A1	Bag Capacity (ft³)	PC/PC+ Flow Rate (CFS)	Bypass (CFS)	ADS P/N	Flexstorm Item Code
62LHDRFX	P-RD-275-252-FX	27.5	25 1/6	25.0	27.0	2.1	1.6	5.8	62LHDRFXP	P-RD-275-252-FXP
62LHDRFX	P-RD-275-258-FX	27.5	25.75	25.0	27.0	2.2	1.6	5.8	62LHDRFXP	P-RD-275-258-FXP
62LHDRFX	P-RD-279-260-FX	27.875	26	25.0	27.0	2.2	1.6	5.8	62LHDRFXP	P-RD-279-260-FXP
62LHDRFX	P-RD-290-270-FX	29	27	26.5	28.5	2.4	1.7	6.1	62LHDRFXP	P-RD-290-270-FXP
62LHDRFX	P-RD-288-271-FX	28.75	27.125	26.5	28.5	2.4	1.7	6.1	62LHDRFXP	P-RD-288-271-FXP
62LHDRFX	P-RD-318-300-FX	31.75	30	29.5	31.5	3.0	1.9	6.8	62LHDRFXP	P-RD-318-300-FXP
62LHDRFX	P-RD-319-300-FX	31.87	30	29.5	31.5	3.0	1.9	6.8	62LHDRFXP	P-RD-319-300-FXP
62LHDRFX	P-RD-320-300-FX	32	30	29.5	31.5	3.0	1.9	6.8	62LHDRFXP	P-RD-320-300-FXP
62LHDRFX	P-RD-323-303-FX	32.25	30.25	29.5	31.5	3.1	1.9	6.8	62LHDRFXP	P-RD-323-303-FXP
62LHDRFX	P-RD-341-315-FX	34.125	31.5	31.3	33.3	3.3	2.0	7.2	62LHDRFXP	P-RD-341-315-FXP
62LHDRFX	P-RD-341-323-FX	34.125	32.25	32.0	34.0	3.5	2.0	7.4	62LHDRFXP	P-RD-341-323-FXP
62LHDRFX	P-RD-343-323-FX	34.25	32.25	32.0	34.0	3.5	2.0	7.4	62LHDRFXP	P-RD-343-323-FXP
62LHDRFX	P-RD-341-325-FX	34.125	32.5	32.0	34.0	3.5	2.0	7.4	62LHDRFXP	P-RD-341-325-FXP
62LHDRFX	P-RD-360-340-FX	36	34	33.5	35.5	3.9	2.1	7.8	62LHDRFXP	P-RD-360-340-FXP
62LHDRFX	P-RD-360-360-FX	38	36	35.5	37.5	4.4	2.3	8.2	62LHDRFXP	P-RD-360-360-FXP

**NOTES:**

1. RATINGS SHOWN ARE FOR STANDARD 22" BAG DEPTH; "SHORT" 12" DEPTH BAGS ARE AVAILABLE WITH -S SUFFIX; RATINGS REDUCED BY ~50%.

2. THE FOLLOWING REQUIRES ADDITIONAL REVIEW

- GRATES WITH EXTENDED BOTTOMS
- ANY OBSTRUCTED INLET OPENINGS

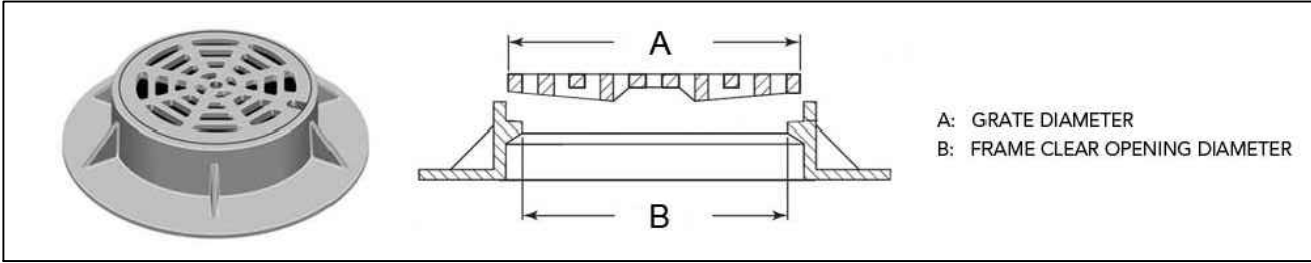


ALL PRODUCTS MANUFACTURED BY INLET & PIPE PROTECTION, INC A DIVISION OF ADS, INC.  
WWW.INLETFILTERS.COM  
(866) 287-8655 PH  
(630) 355-3477 FX  
INFO@INLETFILTERS.COM

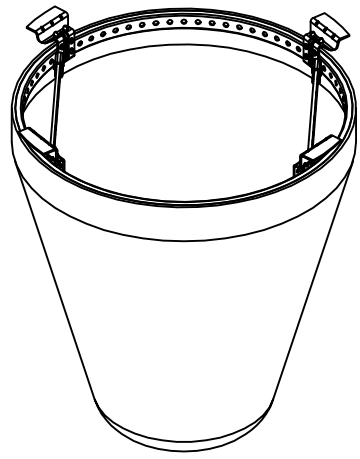
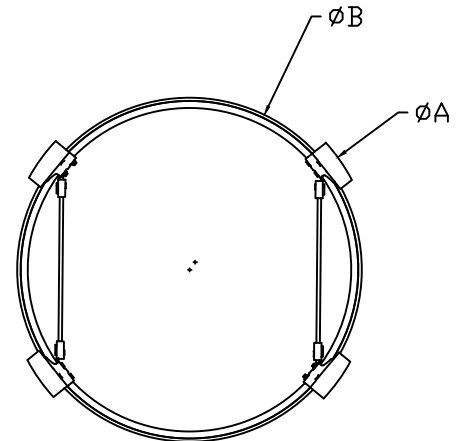
SIZE	FRAME TYPE	DWG NO	REV
C	HDR	RD-62LHDR-FX	A
SCALE	SHEET 1 OF 1		

# FLEXSTORM P/Ns 62LHDRPC & 62LHDRPCP

RD INLET TYPE: RAISED CAST IRON FRAME AND ROUND GRATE



A: GRATE DIAMETER  
B: FRAME CLEAR OPENING DIAMETER



Pure frame with PC Bag		Field Inlet Dimensions		Flexstorm Framing Dims		Flexstorm Ratings (Flow at 50% max)			Pure Frame with PC+ Bag	
ADS P/N	Flexstorm Item Code	A	B	B1	A1	Bag Capacity (ft <sup>3</sup> )	PC/PC+ Flow Rate (CFS)	Bypass (CFS)	ADS P/N	Flexstorm Item Code
62LHDRPC	P-RD-275-252-PC	27.5	25.18	25.0	27.0	2.1	1.6	5.8	62LHDRPCP	P-RD-275-252-PCP
62LHDRPC	P-RD-275-258-PC	27.5	25.75	25.0	27.0	2.2	1.6	5.8	62LHDRPCP	P-RD-275-258-PCP
62LHDRPC	P-RD-279-260-PC	27.875	26	25.0	27.0	2.2	1.6	5.8	62LHDRPCP	P-RD-279-260-PCP
62LHDRPC	P-RD-290-270-PC	29	27	26.5	28.5	2.4	1.7	6.1	62LHDRPCP	P-RD-290-270-PCP
62LHDRPC	P-RD-288-271-PC	28.75	27.125	26.5	28.5	2.4	1.7	6.1	62LHDRPCP	P-RD-288-271-PCP
62LHDRPC	P-RD-318-300-PC	31.75	30	29.5	31.5	3.0	1.9	6.8	62LHDRPCP	P-RD-318-300-PCP
62LHDRPC	P-RD-319-300-PC	31.87	30	29.5	31.5	3.0	1.9	6.8	62LHDRPCP	P-RD-319-300-PCP
62LHDRPC	P-RD-320-300-PC	32	30	29.5	31.5	3.0	1.9	6.8	62LHDRPCP	P-RD-320-300-PCP
62LHDRPC	P-RD-323-303-PC	32.25	30.25	29.5	31.5	3.1	1.9	6.8	62LHDRPCP	P-RD-323-303-PCP
62LHDRPC	P-RD-341-315-PC	34.125	31.5	31.3	33.3	3.3	2.0	7.2	62LHDRPCP	P-RD-341-315-PCP
62LHDRPC	P-RD-341-323-PC	34.125	32.25	32.0	34.0	3.5	2.0	7.4	62LHDRPCP	P-RD-341-323-PCP
62LHDRPC	P-RD-343-323-PC	34.25	32.25	32.0	34.0	3.5	2.0	7.4	62LHDRPCP	P-RD-343-323-PCP
62LHDRPC	P-RD-341-325-PC	34.125	32.5	32.0	34.0	3.5	2.0	7.4	62LHDRPCP	P-RD-341-325-PCP
62LHDRPC	P-RD-360-340-PC	36	34	33.5	35.5	3.9	2.1	7.8	62LHDRPCP	P-RD-360-340-PCP
62LHDRPC	P-RD-380-360-PC	38	36	35.5	37.5	4.4	2.3	8.2	62LHDRPCP	P-RD-380-360-PCP

**NOTES:**

- RATINGS SHOWN ARE FOR STANDARD 22" BAG DEPTH; "SHORT" 12" DEPTH BAGS ARE AVAILABLE WITH -S SUFFIX; RATINGS REDUCED BY ~50%.
- THE FOLLOWING REQUIRES ADDITIONAL REVIEW
  - GRATES WITH EXTENDED BOTTOMS
  - ANY OBSTRUCTED INLET OPENINGS

**FLEXSTORM**  
INLET FILTERS  
**PURE**

THIS PRINT DISCLOSES SUBJECT MATTER IN WHICH FLEXSTORM HAS PROPRIETARY RIGHTS. THE RECEIPT OR POSSESSION OF THIS PRINT DOES NOT CONFER, TRANSFER, OR LICENSE THE USE OF THE DESIGN OR TECHNICAL INFORMATION SHOWN HEREIN. REPRODUCTION OF THIS PRINT OR ANY INFORMATION CONTAINED HEREIN, OR MANUFACTURE OF ANY ARTICLE HEREFROM, FOR THE DISCLOSURE TO OTHERS IS PROHIBITED, EXCEPT BY WRITTEN PERMISSION FROM FLEXSTORM. ©2013 ADS, INC.

ALL PRODUCTS MANUFACTURED BY INLET & PIPE PROTECTION, INC A DIVISION OF ADS, INC.  
WWW.INLETFILTERS.COM  
(866) 287-8655 PH  
(630) 355-3477 FX  
INFO@INLETFILTERS.COM

SIZE	FRAME TYPE	DWG NO	REV
C	HDR	RD-62LHDR-PC	A
SCALE	SHEET 1 OF 1		