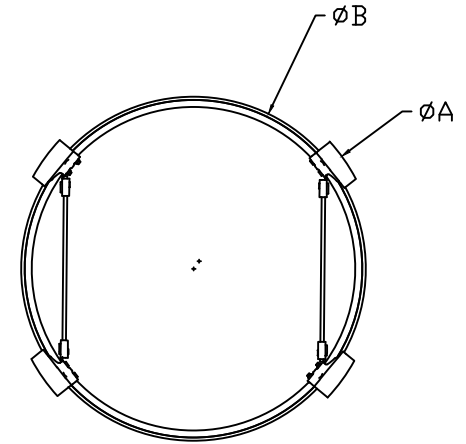
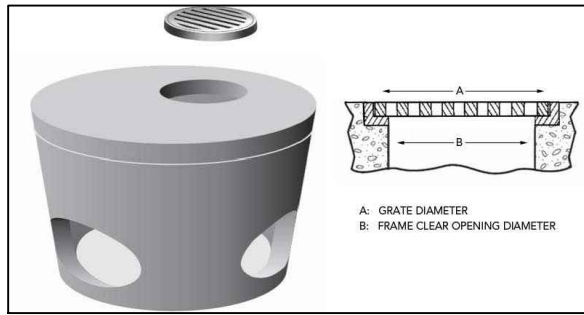


FLEXSTORM P/Ns 62' _RDFX

RDC INLET TYPE: ROUND IN CONCRETE PRECAST WITH SLAB TOP



Catch-It Frame with FX Bag		Field Inlet Dimensions		Flexstorm Framing Dims		Flexstorm Ratings (Flow at 50% max)			Catch-IT Frame with FX+ Bag	
ADS P/N	Flexstorm Item Code	A	B	A1	B1	Bag Capacity (ft ³)	PC/PC+ Flow Rate (CFS)	Bypass (CFS)	ADS P/N	Flexstorm Item Code
62SRDFX	C-RDC-103-85-FX	10.25	8.5	10.0	7.5	0.2	0.5	1.7	62SRDFXP	C-RDC-103-85-FXP
62SRDFX	C-RDC-133-115-FX	13.25	11.5	13.0	10.5	0.4	0.7	2.4	62SRDFXP	C-RDC-133-115-FXP
62SRDFX	C-RDC-143-130-FX	14.25	13	14.3	11.8	0.5	0.8	2.8	62SRDFXP	C-RDC-143-130-FXP
62SRDFX	C-RDC-160-135-FX	16	13.5	15.3	12.8	0.6	0.8	2.9	62SRDFXP	C-RDC-160-135-FXP
62SRDFX	C-RDC-163-145-FX	16.25	14.5	16.0	13.5	0.6	0.9	3.1	62SRDFXP	C-RDC-163-145-FXP
62SRDFX	C-RDC-180-160-FX	18	16	17.5	15.0	0.8	1.0	3.5	62SRDFXP	C-RDC-180-160-FXP
62SRDFX	C-RDC-195-180-FX	19.5	18	19.5	17.0	1.0	1.1	3.9	62SRDFXP	C-RDC-195-180-FXP
62SRDFX	C-RDC-198-175-FX	19.75	17.5	19.3	16.8	1.0	1.1	3.8	62SRDFXP	C-RDC-198-175-FXP
62MRDFX	C-RDC-205-188-FX	20.5	18.75	20.3	17.8	1.1	1.2	4.2	62MRDFXP	C-RDC-205-188-FXP
62MRDFX	C-RDC-223-200-FX	22.25	20	21.8	19.3	1.3	1.2	4.4	62MRDFXP	C-RDC-223-200-FXP
62MRDFX	C-RDC-223-205-FX	22.25	20.5	22.0	19.5	1.3	1.3	4.5	62MRDFXP	C-RDC-223-205-FXP
62MRDFX	C-RDC-228-200-FX	22.75	20	21.8	19.3	1.3	1.2	4.4	62MRDFXP	C-RDC-228-200-FXP
62MRDFX	C-RDC-228-205-FX	22.75	20.5	22.3	19.8	1.4	1.3	4.5	62MRDFXP	C-RDC-228-205-FXP
62MRDFX	C-RDC-228-210-FX	22.75	21	22.5	20.0	1.4	1.3	4.6	62MRDFXP	C-RDC-228-210-FXP
62MRDFX	C-RDC-233-215-FX	23.25	21.5	23.0	20.5	1.5	1.3	4.7	62MRDFXP	C-RDC-233-215-FXP
62MRDFX	C-RDC-235-220-FX	23.5	22	23.5	21.0	1.5	1.4	4.9	62MRDFXP	C-RDC-235-220-FXP
62MRDFX	C-RDC-238-224-FX	23.75	22.375	23.8	21.3	1.6	1.4	4.9	62MRDFXP	C-RDC-238-224-FXP
62MRDFX	C-RDC-238-225-FX	23.75	22.5	23.8	21.3	1.6	1.4	4.9	62MRDFXP	C-RDC-238-225-FXP
62MRDFX	C-RDC-238-228-FX	23.75	22.75	23.8	21.3	1.6	1.4	4.9	62MRDFXP	C-RDC-238-228-FXP
62MRDFX	C-RDC-240-215-FX	24	21.5	23.3	20.8	1.5	1.3	4.9	62MRDFXP	C-RDC-240-215-FXP
62MRDFX	C-RDC-255-223-FX	25.5	22.25	23.8	21.3	1.6	1.4	5.3	62MRDFXP	C-RDC-255-223-FXP
62MRDFX	C-RDC-258-240-FX	25.75	24	25.5	23.0	1.8	1.5	5.3	62MRDFXP	C-RDC-258-240-FXP
62MRDFX	C-RDC-266-240-FX	26.625	24	25.8	23.3	1.9	1.5	5.4	62MRDFXP	C-RDC-266-240-FXP
62MRDFX	C-RDC-268-240-FX	26.75	24	25.8	23.3	1.9	1.5	5.4	62MRDFXP	C-RDC-268-240-FXP
62MRDFX	C-RDC-275-240-FX	27.5	24	25.8	23.3	1.9	1.5	5.4	62MRDFXP	C-RDC-275-240-FXP
62LRDFX	C-RDC-300-275-FX	30	27.5	29.3	26.8	2.5	1.7	6.1	62LRDFXP	C-RDC-300-275-FXP
62LRDFX	C-RDC-320-300-FX	32	30	31.5	29.0	2.9	1.9	6.7	62LRDFXP	C-RDC-320-300-FXP
62LRDFX	C-RDC-323-300-FX	32.25	30	31.8	29.3	3.0	1.9	6.7	62LRDFXP	C-RDC-323-300-FXP
62LRDFX	C-RDC-341-323-FX	34.125	32.25	33.8	31.3	3.4	2.0	7.2	62LRDFXP	C-RDC-341-323-FXP

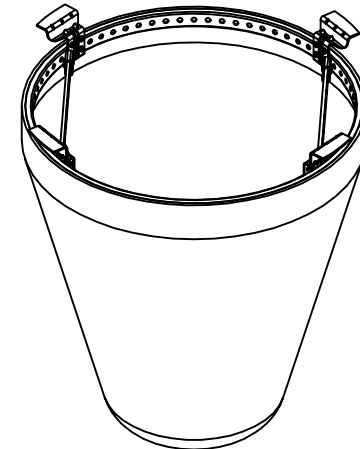
NOTES:

1. RATINGS SHOWN ARE FOR STANDARD 22" BAG DEPTH; "SHORT" 12" DEPTH BAGS ARE AVAILABLE WITH -S SUFFIX; RATINGS REDUCED BY ~50%.

2. THE FOLLOWING REQUIRES ADDITIONAL REVIEW

-GRATES WITH EXTENDED BOTTOMS

-ANY OBSTRUCTED INLET OPENINGS



ALL PRODUCTS MANUFACTURED BY INLET & PIPE PROTECTION, INC A DIVISION OF ADS, INC.
WWW.INLETFILTERS.COM
(866) 287-8655 PH
(630) 355-3477 FX
INFO@INLETFILTERS.COM

<small>THIS PRINT DISCLOSES SUBJECT MATTER IN WHICH FLEXSTORM HAS PROPRIETARY RIGHTS. THE RECEIPT OR POSSESSION OF THIS PRINT DOES NOT CONFER, TRANSFER, OR LICENSE THE USE OF THE DESIGN OR TECHNICAL INFORMATION SHOWN HEREIN. REPRODUCTION OF THIS PRINT OR ANY INFORMATION CONTAINED HEREIN, OR MANUFACTURE OF ANY ARTICLE HEREFROM, FOR THE DISCLOSURE TO OTHERS IS PROHIBITED, EXCEPT BY WRITTEN PERMISSION FROM FLEXSTORM.</small>	SIZE	FRAME TYPE	DWG NO
	C	RDC	C-62_RD-FX
SCALE			REV
			A

SHEET 1 OF 1